

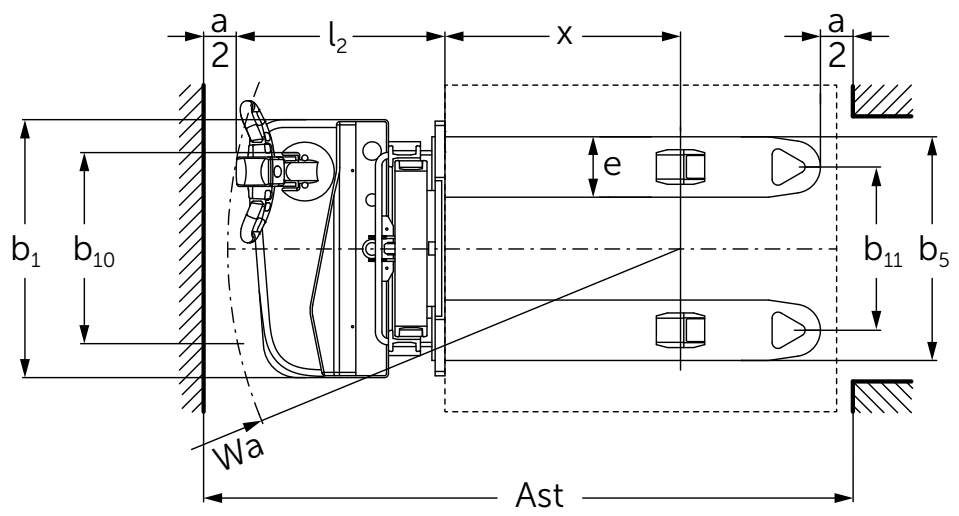
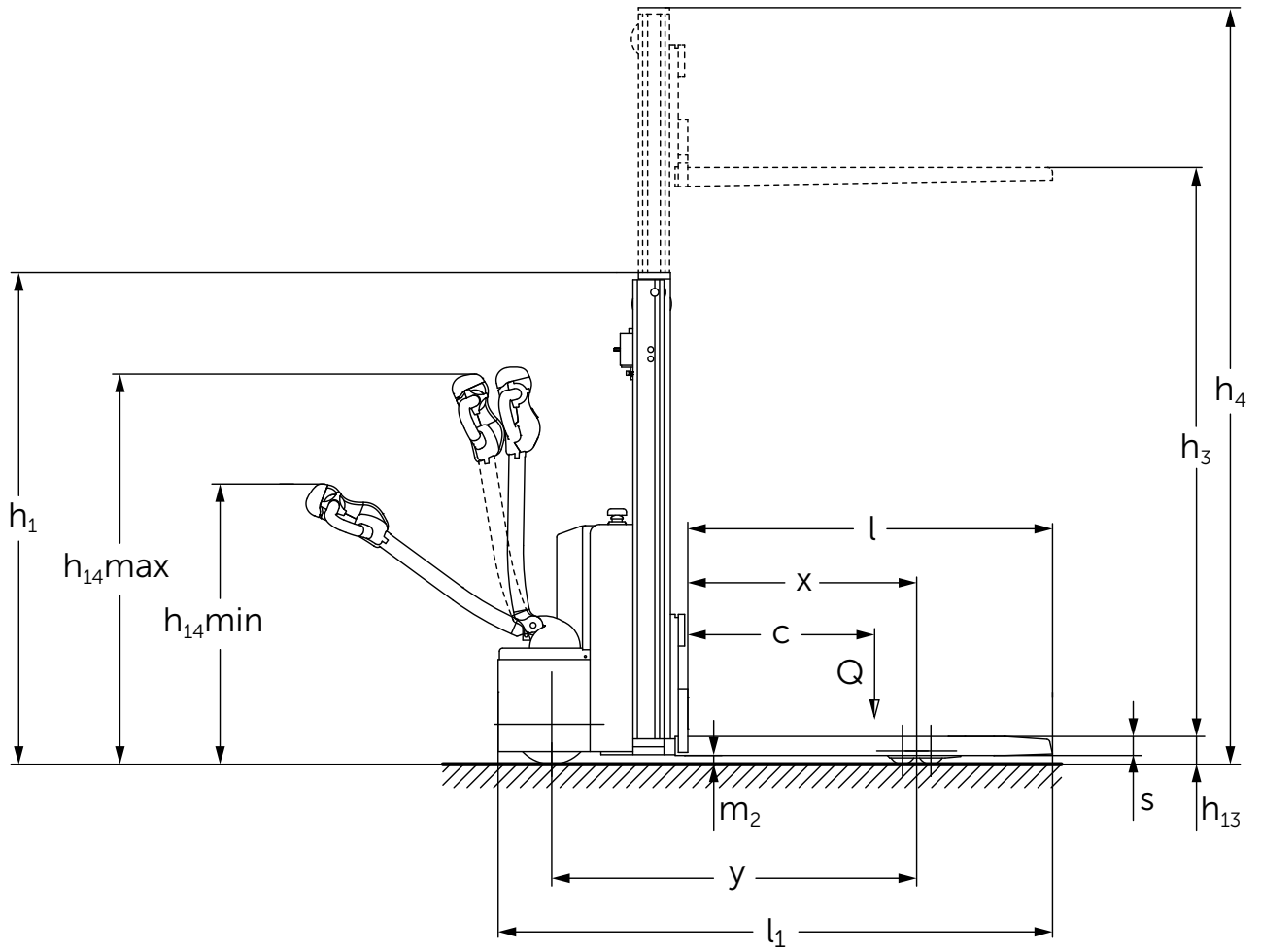
## Technical data



# CDD 10-70

## Electric pedestrian stacker (1,000 kg)

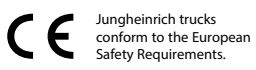
The CDD 10-70 is the entry-level model of the electric pedestrian stackers. Intended for easy applications in the internal material flow and thanks to its compact design, it is especially suited for operations in narrow spaces. Fitted with a double telescopic mast, the truck allows for the easy storage and retrieval of pallets. The maintenance-free battery in combination with an on-board charger as part of the standard version ensure particularly easy handling.



# Technical data in line with VDI 2198

Issue: 12/2017

Identification	1.2	Model		CDD10-070JH
	1.3	Drive		Electrics
	1.4	Manual, pedestrian, stand-on, seated, order picker operation		Pedestrian
	1.5	Load capacity/rated load	Q t	1.0
	1.6	Load centre distance	c mm	600
	1.8	Load distance	x mm	722
	1.9	Wheelbase	y mm	1,150
Weights	2.1.1	Net weight incl. battery (see row 6.5)	kg	563/579/605/631
	2.2	Axle load with load front/rear	kg	522/1,058
	2.3	Axle load without load front/rear	kg	394/186
Wheels/ chassis	3.1	Tyres		PU
	3.2	Tyre size, front	mm	Ø 250x70
	3.3	Tyre size, rear	mm	Ø 84x70
	3.4	Additional wheels (dimensions)	mm	Ø 115x55
	3.5	Wheels, number front/rear (x = driven wheels)	mm	1/1/4
	3.6	Tread width, front	b10 mm	507
	3.7	Tread width, rear	b11 mm	365
Basic dimensions	4.2	Mast height (lowered)	h1 mm	1,560/1,810/2,060/2,210
	4.4	Lift	h3 mm	2,000/2,500/3,000/3,300
	4.5	Extended mast height	h4 mm	2,515/3,015/3,515/3,815
	4.9	Height of tiller in drive position min. / max.	h14 mm	850/1,252
	4.15	Lowered height	h13 mm	90
	4.19	Overall length	l1 mm	1,733
	4.20	Length incl. back of forks	l2 mm	429
	4.21	Total width	b1/b2 mm	790
	4.22	Fork dimensions	s/e/l mm	55/185/1,150
	4.25	Width over forks	b5 mm	550
	4.32	Floor clearance centre wheelbase	m2 mm	30
	4.33	Aisle width for pallets 1000 x 1200 sideways	Ast mm	2,058
4.34	Aisle width for pallets 800 x 1200 lengthways	Ast mm	2,108	
4.35	Turning radius	Wa mm	1,430	
Performance data	5.1	Travel speed, w./w.o. load	km/h	3/3.5
	5.2	Lift speed, w./w.o. load	m/s	0.12/0.18
	5.3	Lowering speed, w./w.o. load	m/s	0.11/0.11
	5.8	Max. gradeability, laden/unladen	%	5/7
	5.10	Service brake		Electromagnetic
Electrics	6.1	Drive motor, output S2 60 min.	kW	0.63
	6.2	Lift motor, output at S3 15%	kW	2.0
	6.4	Battery voltage/nominal capacity K5	V/Ah	24/70
	6.5	Battery weight	kg	2x 24
Misc.	8.1	Type of drive control		CURTIS



Jungheinrich trucks  
conform to the European  
Safety Requirements.

Jungheinrich Lift Truck Singapore Pte Ltd  
7 Joo Koon Way  
Singapore 628945  
Tel: +65 6558 7600  
Fax: +65 6558 7611